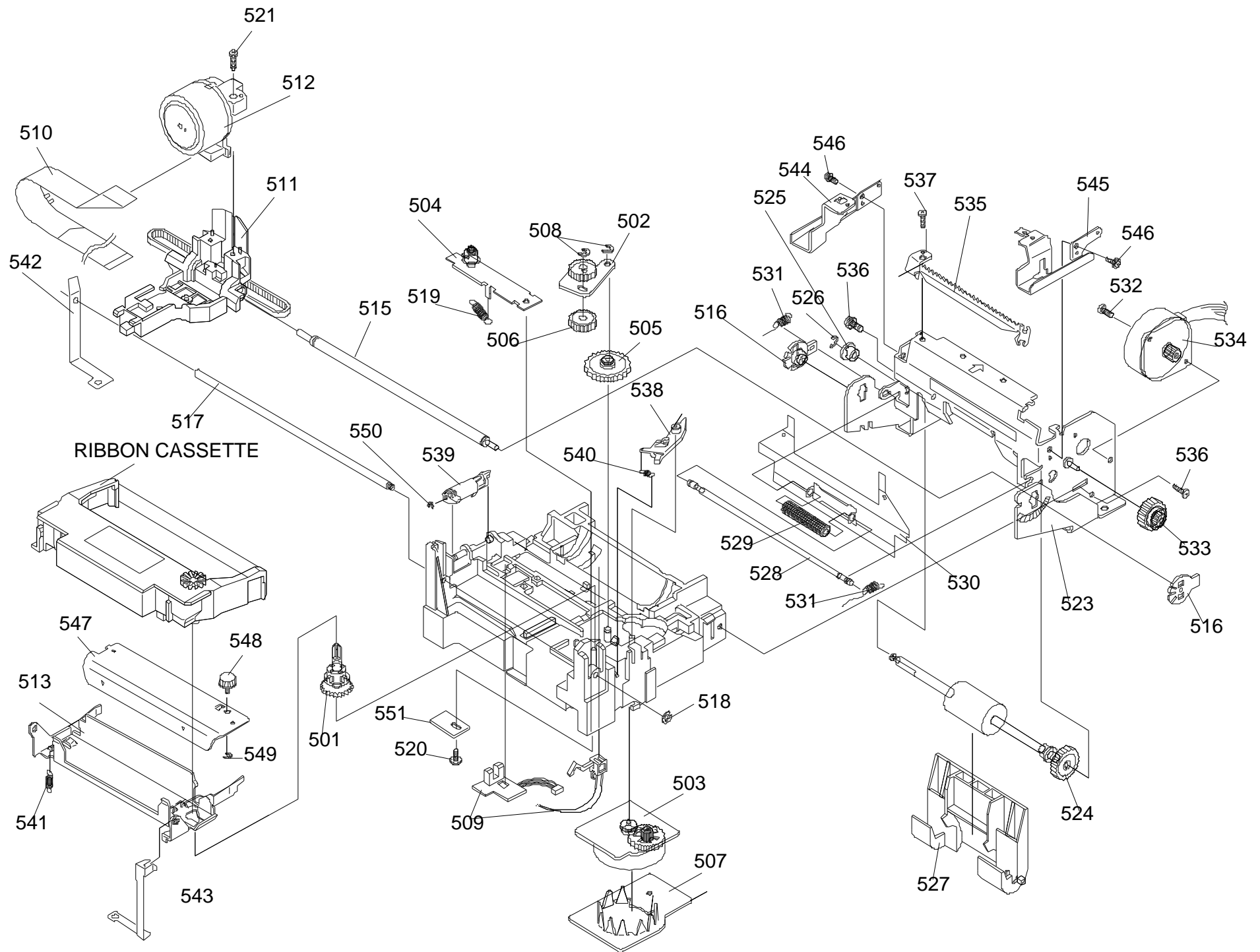
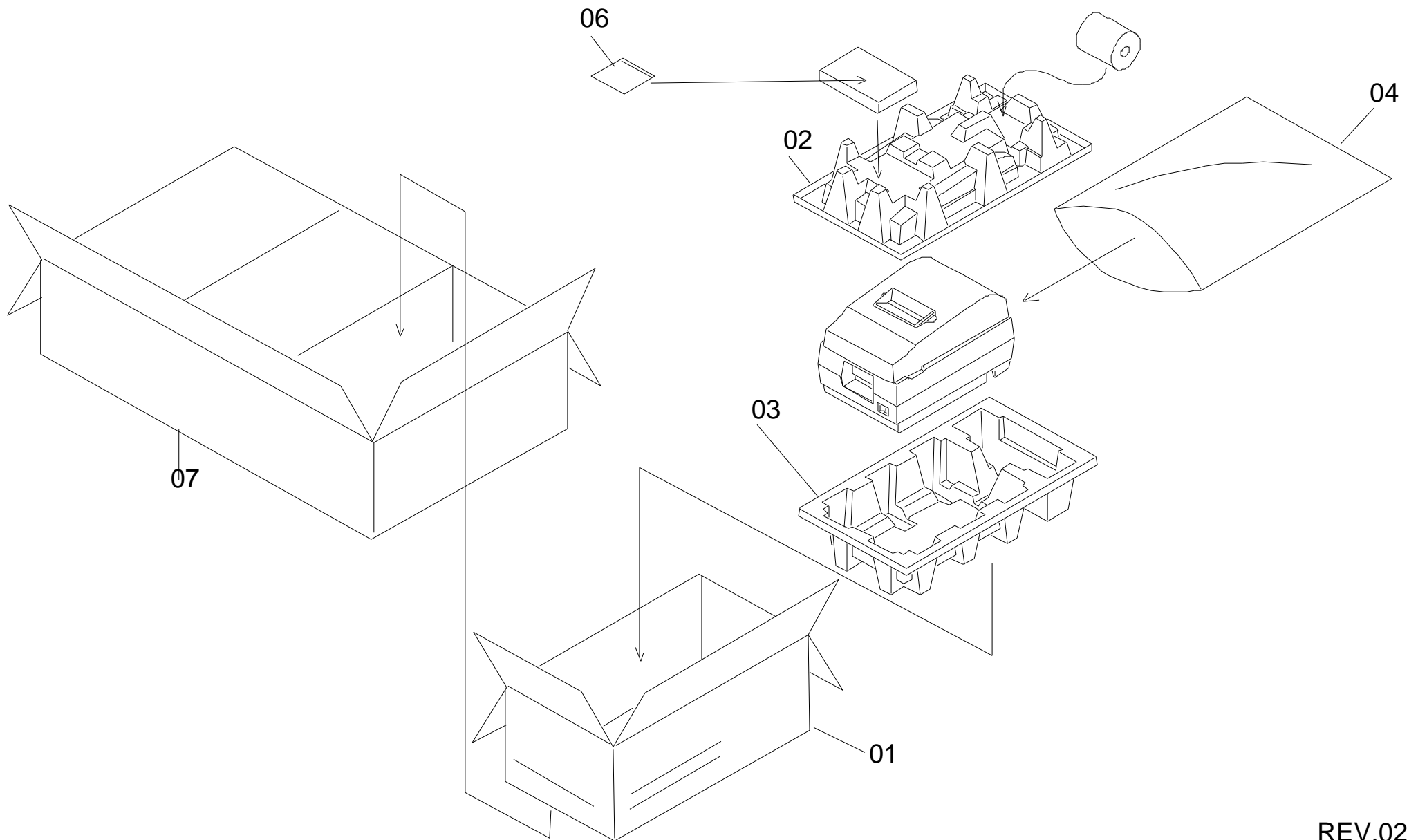


EXPLODED DIAGRAM FOR TM-U200B/U210B NO.1



EXPLODED DIAGRAM FOR TM-U200B/U200PB/U210B /U210PB NO.2



PACKING MATERIAL FOR TM-U200B/U200PB/U210B/U210PB